

1100-serie valves Pressure retaining valves Relief valves



The 1100-series pressure retaining and relief valves are specifically designed for our dosing pumps and dosing systems. The valves are universal and can be configured as pressure retaining or as relief valve.

Pressure retaining valves:

Pressure retaining valves are used in dosing applications with none or low discharge pressure, and at applications with a higher suction than discharge pressure. A pressure retaining valve avoids syphoning and over dosing. With fluctuating discharge pressures the pressure will be stabilised for the dosing pump which will guarantee the dosing accuracy. In combination with a pulsation dampener pressure peaks will be damped, the flow peaks are reduced and other equipment will be protected against hydraulic shocks.



Relief valves:

Pressure relief valves are used with our dosing pumps to protect the system and piping against overpressure.

1100-series valves:

- The valves can be supplied in several materials and connections.
- Are in compliance with PED 97/23/EC.

Size			Flow		Adjustable pressure range			
OD(mm)	DN	NB	Pulsed l/h	Damped l/h	Relief Bar(g)	Retaining Bar(g)	HP Relief Bar(g)	HP Retaining Bar(g)
16	10	3/8"	200	400	0 - 10	0 - 3	0 - 26	0 - 8
20	15	1/2"	375	750	0 - 10	0 - 3	0 - 25	0 - 8
25	20	3/4"	625	1250	0 - 10	0 - 3	0 - 28	0 - 8
32	25	1"	1000	2000	0 - 10	0 - 3	0 - 38	0 - 8
40	32	1 1/4"	1500	3000	0 - 10	0 - 3	0 - 22	0 - 6
50	40	1 1/2"	2000	4000	0 - 10	0 - 3	0 - 22	0 - 5
63	50	2"	3000	6000	0 - 10	0 - 3	0 - 16	0 - 5
63 DX	50 DX	2" DX	6000	12000	0 - 10	0 - 3	0 - 16	0 - 5

1100-serie valves Pressure retaining valves Relief valves



Max. temperature			Max working pressure for PED 97/23/EC	
Material	Diaphragm	°C	Material	Bar(g)
Bonnet			Housing	
PVC	All	60	Plastic up to 1 ½"	16
PP	All	90	Plastic 2"	12
SS 304/316	EPDM	90	Metal	24
SS 304/316	FPM/PTFE	140		

Materials:

The 1100-series valves can be supplied in the following standards materials:

Housing:

- PVC-U, PP, PVDF, SS 316L, Alloy 20, TI Gr.2, Hastelloy C276

Diaphragms:

- EPDM, FPM, PTFE

Bonnet:

- PVC, PP, 304 and 316

Adjuster screw:

- PP, PTFE and 316

Other materials can be supplied upon request.

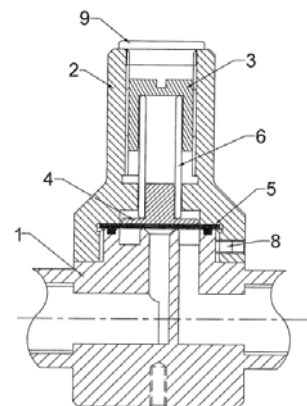


Connections:

The 1100-series valves are available with the following standard connections:

- Thread connections BSPf or NPTf
- 3-piece Union with solvent glue or threaded socket
- Butt weld
- Flanged connections in accordance with DIN, ISO or ANSI

Cross section 1100-series valves	
Item	Description
1	Housing
2	Bonnet
3	Adjuster screw
4	Pressure pad
5	Diaphragm
6	Spring
8	Locking screw bonnet
9	Protection cap



All rights reserved for modification without prior notice. MP valves 2-2015